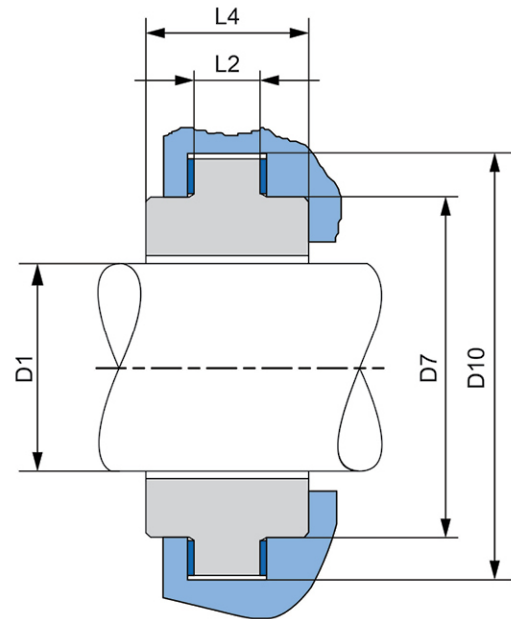


Standard Seat

Type G2

- Material :
 Stationary Ring : Ceramic/Sic/TC
 Secondary Seal : NBR/EPDM/Viton



Dimensional Data (mm.)

D1	D7	D10	L2	L4
0.750	36.51	48.00	7.90	17.40
0.875	39.69	51.00	7.90	17.40
1.000	42.86	54.00	7.90	17.40
1.125	50.80	65.00	11.10	26.90
1.250	53.98	68.00	11.10	26.90
1.375	57.15	71.00	11.10	26.90
1.500	63.50	78.00	11.10	26.90
1.625	66.68	81.00	11.10	26.90
1.750	69.85	84.00	11.10	26.90
1.875	73.03	87.00	11.10	26.90
2.000	79.38	97.00	14.30	26.90
2.125	82.55	100.00	14.30	33.40
2.250	85.73	103.00	14.30	33.40
2.375	88.90	106.00	14.30	33.40
2.500	92.08	110.00	14.30	33.40
2.625	95.25	113.00	14.30	33.40
2.750	98.43	116.00	14.30	33.40
2.875	100.01	117.00	14.30	33.40
3.000	103.19	121.00	14.30	33.40
3.250	114.30	132.00	14.30	33.40
3.500	120.65	138.00	14.30	33.40
3.750	127.00	144.00	14.30	33.40
4.000	133.35	151.00	14.30	33.40

* Other sizes are available upon request.