

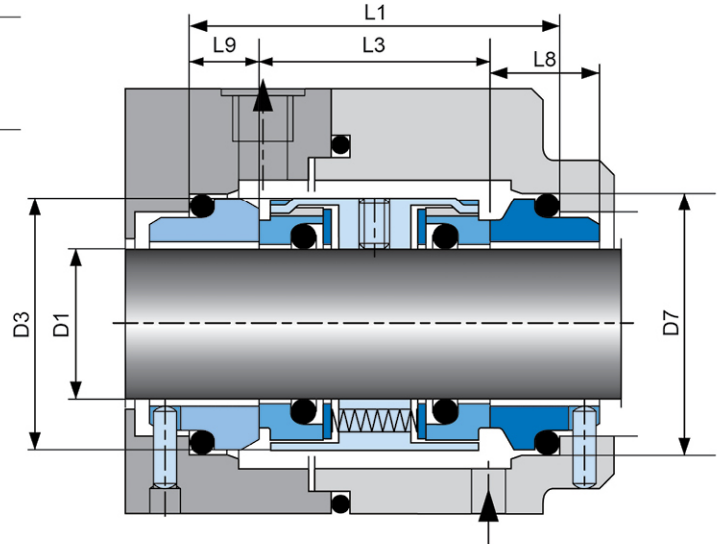


Mechanical Seal Specification

Determine the best sealing solution for your applications.

O-Ring Pusher Seals

TIB-74D



Applications

- Chemical industry
- Process industry
- Pulp and paper industry
- Low solids content and low abrasive media
- Toxic and hazardous media
- Media with poor lubrication properties
- Adhesives

Standard Materials

- Rotary Seal face : Special cast CrMo steel (S), Silicon carbide (Q1, Q2)
- Seat G9 : Silicon carbide (Q1*, Q2*)
- Seat G4 : Silicon carbide (Q1*, Q2*)
- Seat G6 : Silicon carbide (Q1*, Q2*)
- Seat G92 : Carbon graphite antimony impregnated (A), Carbon graphite resin impregnated (B)

* Cannot be combined with seal face made of S
(Other configuration of materials also available on request)

Remarks - Q1 : Seal Face Solid Type

- Q2 : Seal Face Shrink-Fit Type

Operating Conditions

- Shaft diameter : $d_1 = 18 \dots 200$ mm (0.71" ... 7.87")
- Pressure : $p_1 = 25$ bar (363 PSI)
- Temperature : $t = -50^\circ\text{C} \dots 220^\circ\text{C}$ (-58°F ... 428°F)
- Sliding velocity : $v_g = 20$ m/s (66 ft/s)
- Axial movement :
 d_1 up to 100 mm : ± 0.5 mm
 d_1 from 100 mm : ± 2.0 mm

*(Depend on combination of materials)

Design Features/Benefits

- For plain shafts
- Dual seal
- Unbalanced
- Rotating multiple springs
- Independent of direction of rotation
- Seal concept based on the TIB-7N range
- Variant with pumping screw available



Mechanical Seal Specification

Determine the best sealing solution for your applications.

Dimensional Data (mm.)

D1	D3	D7	L1	L3	L8	L9
18	33	33.0	61.0	38	19.5	11.5
20	35	35.0	61.0	28	19.5	11.5
22	37	37.0	61.0	38	19.5	11.5
24	39	39.0	61.0	38	19.5	11.5
25	40	40.0	61.0	38	19.5	11.5
28	43	43.0	62.0	39	19.5	11.5
30	45	45.0	62.0	39	19.5	11.5
32	47	48.0	62.0	39	19.5	11.5
33	48	48.0	62.0	39	19.5	11.5
35	50	50.0	62.0	39	19.5	11.5
38	55	56.0	69.0	41	22.0	14.0
40	57	58.0	70.0	42	22.0	14.0
43	60	61.0	70.0	42	22.0	14.0
45	62	63.0	70.0	42	22.0	14.0
48	65	66.0	70.0	42	22.0	14.0
50	67	70.0	73.0	43	23.0	15.0
53	70	73.0	73.0	43	23.0	15.0
55	72	75.0	73.0	43	23.0	15.0
58	79	78.0	86.0	56	23.0	15.0
60	81	80.0	86.0	56	23.0	15.0
63	84	83.0	85.0	55	23.0	15.0
65	86	85.0	85.0	55	23.0	15.0
68	89	90.0	91.0	55	26.0	18.0
70	91	92.0	92.0	56	26.0	18.0
75	99	97.0	92.0	56	26.0	18.0
80	104	105.0	92.5	56	26.2	18.2
85	109	110.0	92.5	56	26.2	18.2
90	114	115.0	92.5	56	26.3	18.2
95	119	120.0	90.5	56	25.2	17.2
100	124	125.0	90.5	56	25.2	17.2
105	138	134.3	108.0	68	30.0	20.0
110	143	140.3	110.0	70	30.0	20.0
115	148	148.3	110.0	70	30.0	20.0
120	153	150.3	110.0	70	30.0	20.0
125	158	154.3	110.0	70	30.0	20.0
130	163	158.3	110.0	70	30.0	20.0
135	168	164.3	110.0	70	30.0	20.0
140	173	168.3	110.0	70	30.0	20.0
145	178	173.3	110.0	70	30.0	20.0
150	183	180.3	114.0	70	32.0	22.0
155	191	185.3	127.0	79	34.0	24.0
160	196	190.3	127.0	79	34.0	24.0
165	201	195.3	127.0	79	34.0	24.0
170	206	200.3	127.0	79	34.0	24.0
175	211	205.3	127.0	79	34.0	24.0
180	216	219.3	135.0	79	38.0	28.0
185	221	224.3	135.0	79	38.0	28.0
190	226	229.3	135.0	79	38.0	28.0
195	231	234.3	135.0	79	38.0	28.0
200	236	239.3	135.0	79	-	-

* Other sizes are available upon request.